

FJ-RC-WIFI-1BT
3-Wire Remote Controller WiFi Adapter

Job Name _____
 Location _____
 Engineer _____
 Submitted To _____
 Submitted By _____
 Reference _____

Date _____
 Approval _____
 Construction _____
 Unit No _____
 Drawing No _____

MODEL NUMBER:
FJ-RC-WIFI-1BT

GENERAL INFO

Intesis AC Cloud Control interface for 3-wire remote controller-compatible Airstage indoor units

GENERAL FEATURES

- A plug-in interface which connects your Airstage indoor unit to the Intesis AC Cloud Control app
- Connects wirelessly to your router using the 2.4GHz WiFi band
- Bluetooth connection (for registration)
- Includes operational control, monitoring, and scheduling for commonly used functions, including:
 - Equipment start/stop, operation mode, and fan control
 - Room temperature (when used with wired remote controller)
 - Error code reporting
 - Filter status and reset
- Over-the-air (OTA) software updates
- Offers simultaneous control of the indoor unit by a Fujitsu remote controller and the app
- Works with Google Home and Amazon Alexa
- Small form factor, can be mounted on the wall or above ceiling
- 2 year manufacturer's warranty

ELECTRICAL

Power Supply, Consumption Source	12Vdc, 55mA Indoor unit through RC interface
RF frequency range	2412 to 2484 MHz
Output power (average):	20 dBm (11Mb/Sec.) 14 dBm (72.2Mb/Sec.)

EQUIPMENT CONNECTIONS

Device to IDU	3-cond cable, #18-22AWG stranded
---------------	----------------------------------

OPERATING ENVIRONMENT

Operating Temperature Range °F (°C)	32-104°F (0-40°C)
Operating humidity	<93% RH, no condensation
Stock humidity	<93% RH, no condensation
RoHS conformity	Compliant with RoHS directive (2011/65/EU)

WEIGHT AND DIMENSIONS

Net weight oz. (g)	2.8 (80)
H x W x D inches (mm)	4.25 x 2.75 x 1.13 (108 x 70 x 28)

COMPATIBLE WIRED REMOTE CONTROLLERS

UTY-RNBYU, UTY-RNNUM, UTY-RSNUM, UTY-RVNUM

ORDERING CODE

FJ-RC-WIFI-1BT

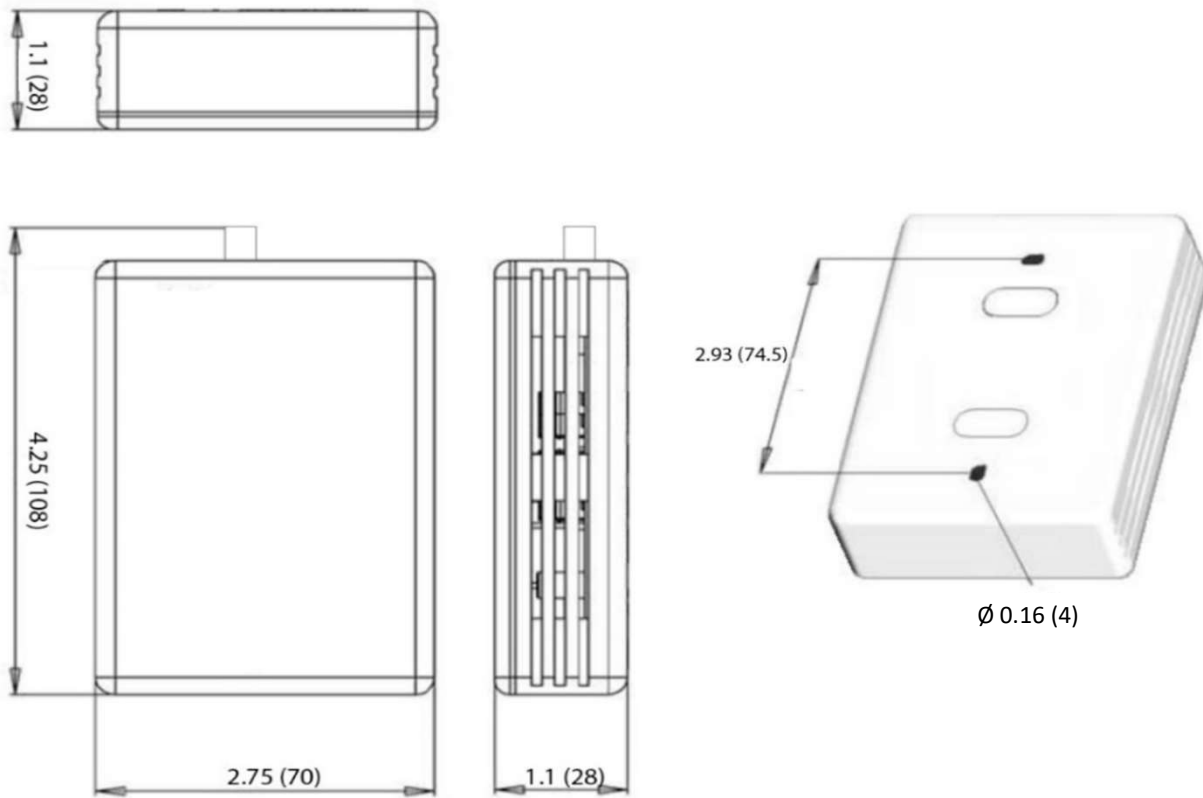
COMPATIBLE INDOOR UNITS

ABUA12TLAV	ARUL12RLAV	ASUA9RLAV
ABUA14RLAV	ARUL14RLAV	AUUA12RLAV
ABUA14TLAV	ARUL14TLAV	AUUA14RLAV
ABUA18RLAV	ARUL18RLAV	AUUA18RLAV
ABUA18TLAV	ARUL18TLAV	AUUA24RLAV
ABUA24TLAV	ARUL7RLAV	AUUA7RLAV
ABUA30TLAV	ARUL7TLAV	AUUA9RLAV
ABUA36RLAV	ARUL9RLAV	AUUB18RLAV
ABUA36TLAV	ARUL9TLAV	AUUB18TLAV
ARUH36RLAV	ARUM30RLAV	AUUB24RLAV
ARUH36TLAV	ARUM36RLAV	AUUB24TLAV
ARUH48RLAV	ARUM36TLAV	AUUB30RLAV
ARUH48TLAV	ASUA12RLAV	AUUB30TLAV
ARUH60RLAV	ASUA14RLAV	AUUB36RLAV
ARUH60TLAV	ASUA7RLAV	AUUB36TLAV

 Due to continuous product improvements, specifications are subject to change without notice. Please log in to Fujitsu Connect for the most up-to-date documentation (<https://connect.fujitsugeneral.com>)

DIMENSIONS

Unit: in (mm)



CONNECTION

